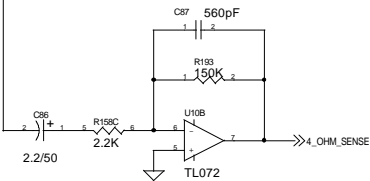
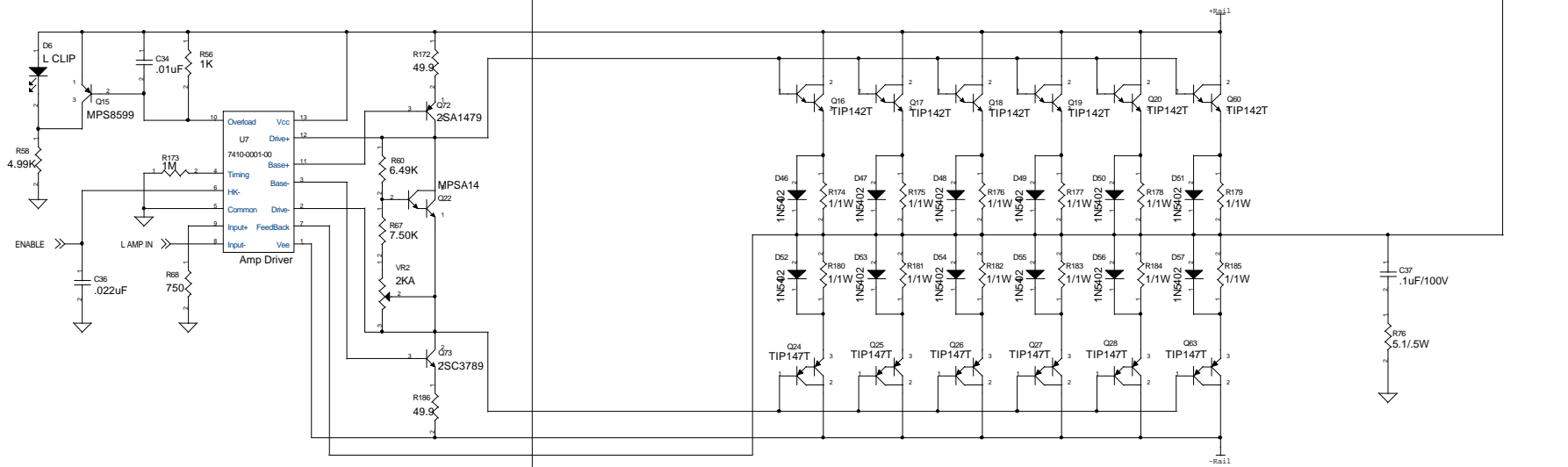
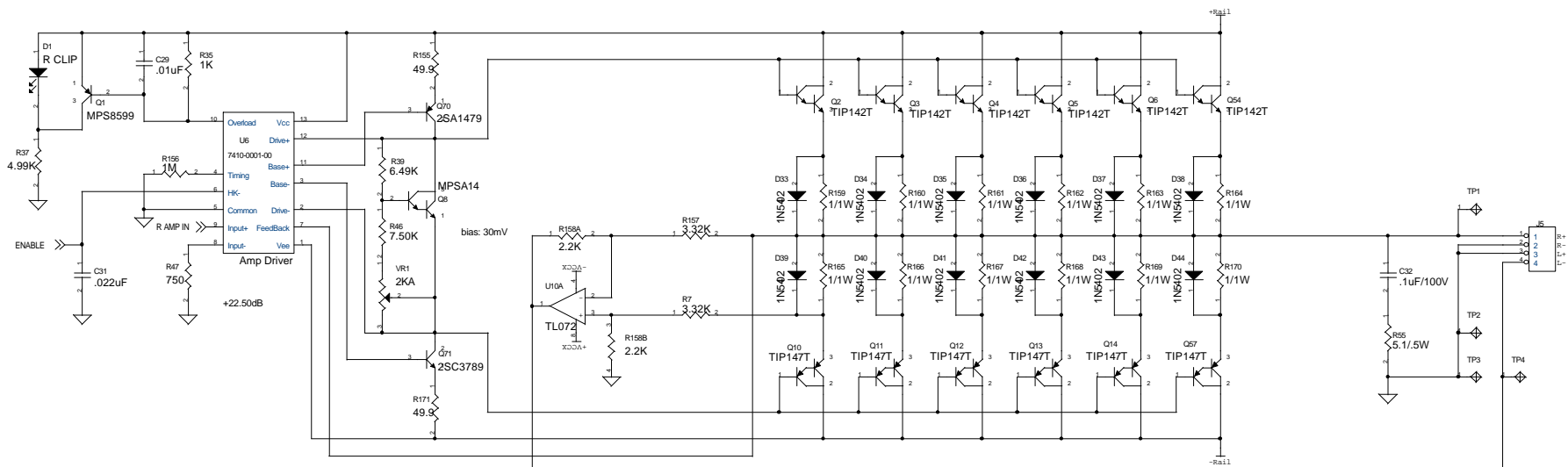


Potentiometer Tapers:
 A - Linear
 B - Log; reverse inserted on PCB for CW Anti-Log
 C - Anti-Log; reverse inserted on PCB for CW Log

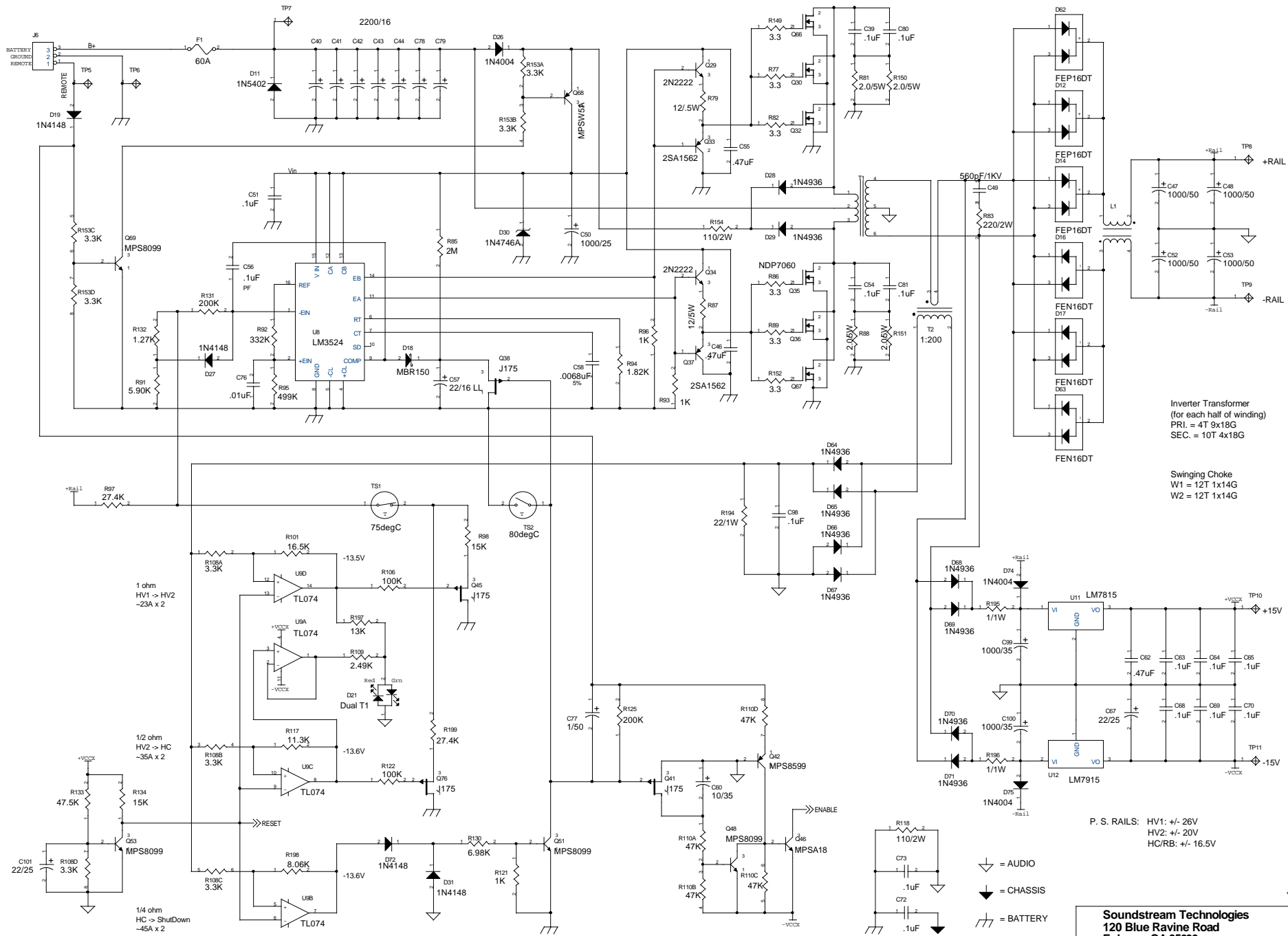
SN: 92.2 dB - T
 102.6 dB - M
 112.5 dB - B

Soundstream Technologies
 120 Blue Ravine Road
 Folsom, CA 95630

File: Class A 5.2 Preamp
 Size: Document Number
 Custom: 7400-0014-01
 Date: Thursday, October 29, 1998 Sheet 1 of 3



* indicates component not installed



Inverter Transformer
(for each half of winding)
PRI. = 4T 9x18G
SEC. = 10T 4x18G

Swinging Choke
W1 = 12T 1x14G
W2 = 12T 1x14G

P. S. RAILS: HV1: +/- 26V
HV2: +/- 20V
HC/RB: +/- 16.5V

- ▽ = AUDIO
- ▼ = CHASSIS
- ⏏ = BATTERY

Soundstream Technologies 120 Blue Ravine Road Folsom, CA 95630		
Title: Class A 5.2 Power Supply		
Size:	Document Number:	Rev:
Custom:	7400-0014-01	
Date:	Thursday, October 29, 1998	Sheet 3 of 3